



OPAQUE FIBERGLASS ENTRY DOOR DOUBLES w/ or w/out SIDELITES

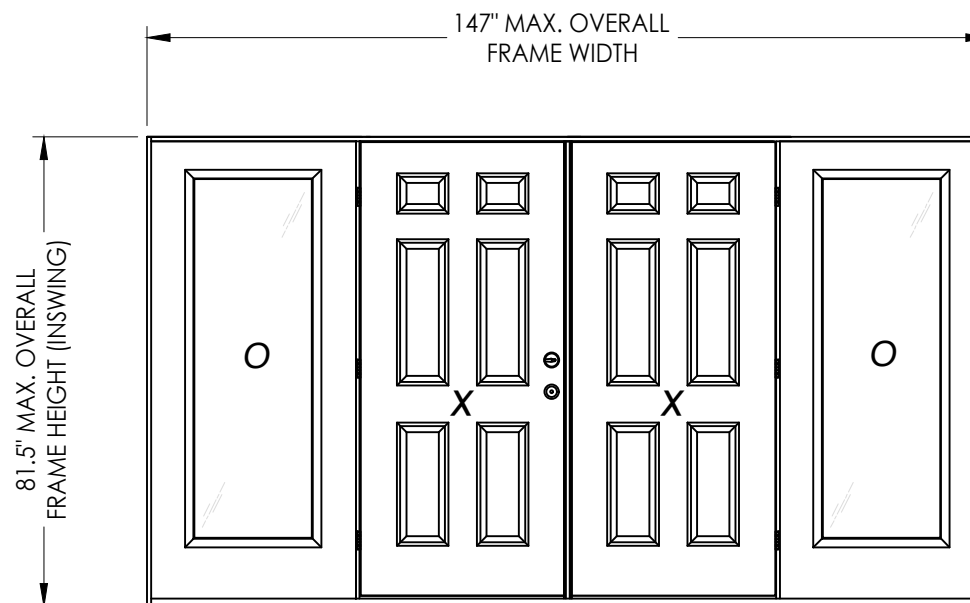
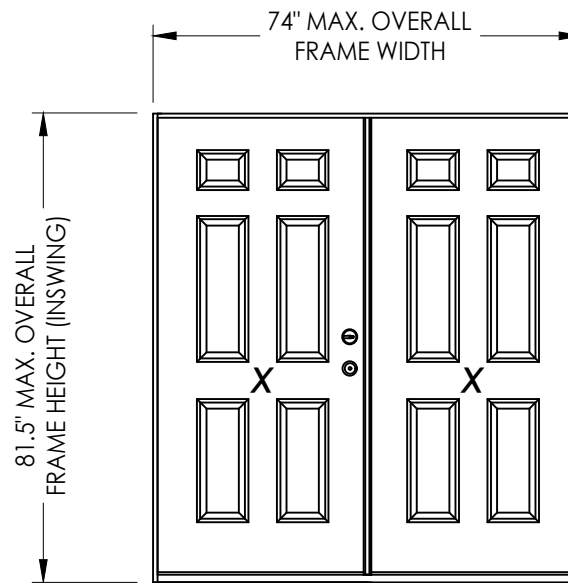
**INSWING
"NON-IMPACT"**

GENERAL NOTES

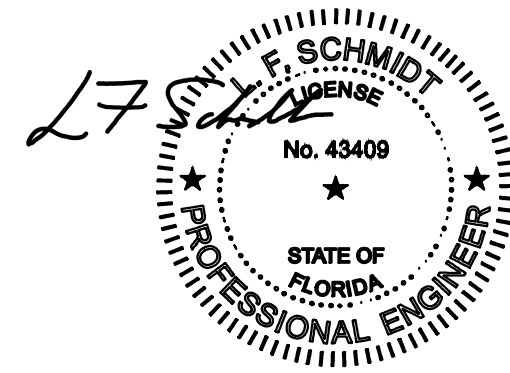
1. This product has been evaluated and is in compliance with the 8th Edition (2023) Florida Building Code (FBC) structural requirements excluding the "High Velocity Hurricane Zone" (HVHZ).
2. Product anchors shall be as listed and spaced as shown on details. Anchor embedment to base material shall be beyond wall dressing or stucco.
3. When used in areas requiring wind borne debris protection, this product is required to be protected with an impact resistant covering that complies with FBC Sections 1609.1.2 & R301.2.1.2.
4. For 2x stud framing construction, anchoring of these units shall be the same as that shown for 2x buck masonry construction.
5. Site conditions that deviate from the details of this drawing require further engineering analysis by a licensed engineer or registered architect.

TABLE OF CONTENTS

SHEET #	DESCRIPTION
1	Typical Elevations, Design Pressures & General Notes
2	Door Panel Details & Glazing Details
3	Sidelite Panel Details
4	Elevations
5	Horizontal & Vertical Cross Sections (2X Buck)
6	Horizontal & Vertical Cross Sections (1X Buck)
7	Horizontal & Vertical Cross Sections (Direct to Masonry)
8	Horizontal Cross Sections
9	Vertical Cross Sections
10	Buck Anchoring
11	Frame Anchoring & Hardware Details
12	Astragal Details
13	Bill of Materials & Components



CONFIGURATION	MAX. FRAME DIMENSION	DESIGN PRESSURE (PSF) INSWING	
		POSITIVE	NEGATIVE
XX	74.0" x 81.5"	+50.0	-55.0
OXXO	147.0" x 81.5"	+40.0	-40.0



This item has been digitally signed and sealed by L. F. Schmidt, P.E. on the date adjacent to the seal. Printed copies of this document are not considered signed and sealed and the signature must be verified on any electronic copies.

THIS PRODUCT APPROVAL IS VALID ONLY FOR THE STATE OF FLORIDA

Documents Prepared By:
Lyndon F. Schmidt
P.E. No. 43409

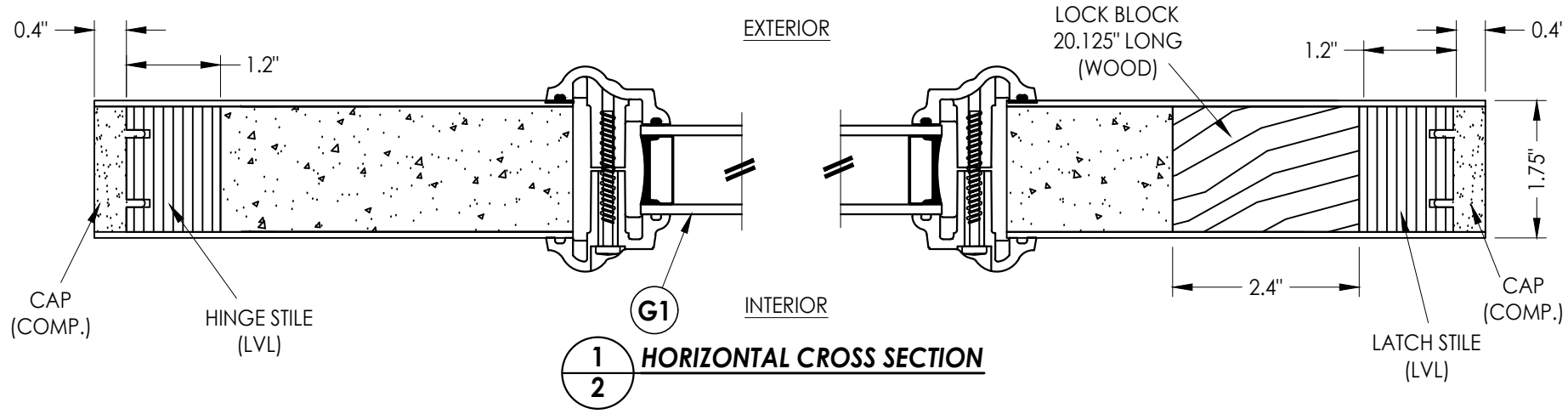
BUILDING CONSULTANTS, INC.
P.O. Box 230, Valrico, FL 33595
Phone No.: 813.659.9197
FBPE Registry No. 9813

RW

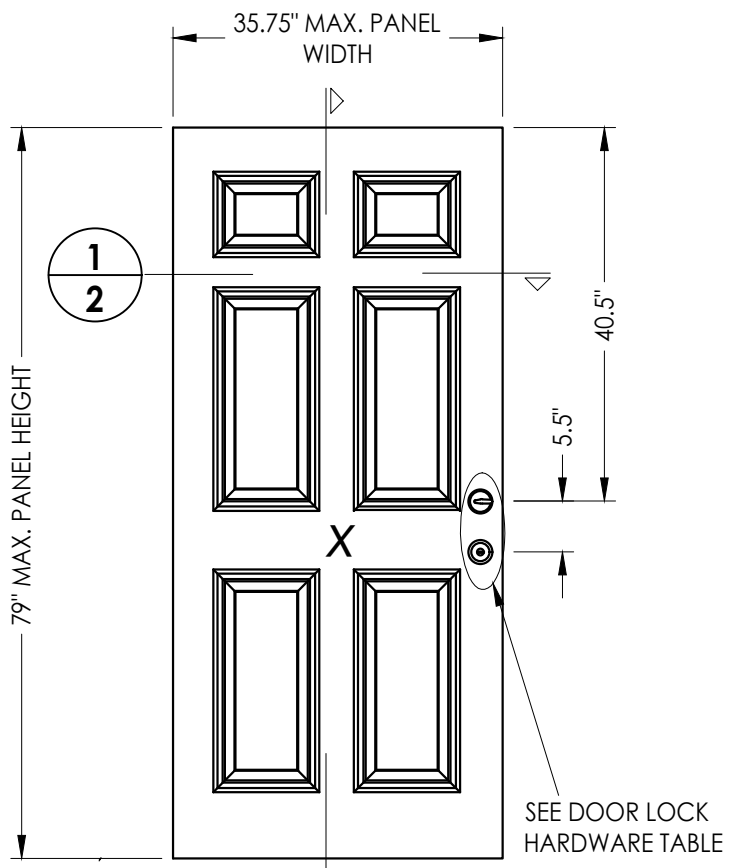
PRODUCT: DOORSCAPES FIBERGLASS DOOR
PART OR ASSEMBLY: TYPICAL ELEVATION, DESIGN PRESSURES & GENERAL NOTES

NO.	DATE	REVISIONS
2	8/01/23	UPDATE TO 8TH ED. (2023) FBC
1	8/06/20	UPDATE TO 7TH ED. (2020) FBC

DATE: 1/21/19
SCALE: N.T.S.
DWG. BY: MT
CHK. BY: LFS
DRAWING NO.: FL-28831.2
SHEET 1 OF 13



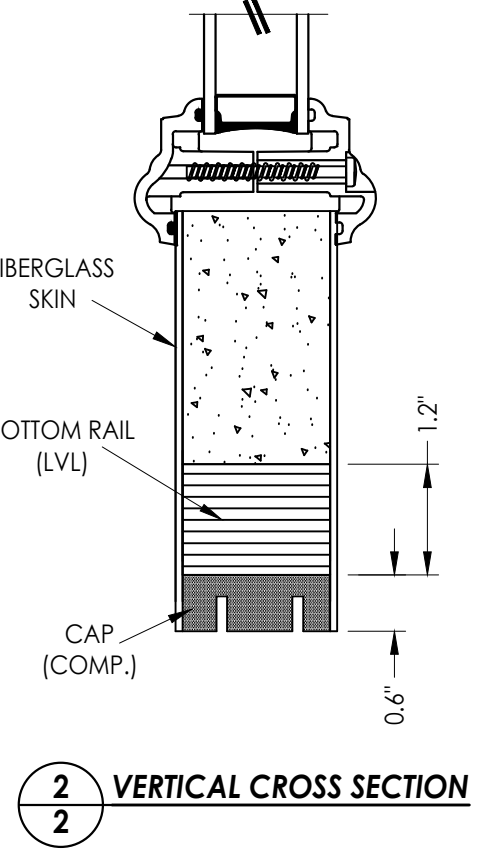
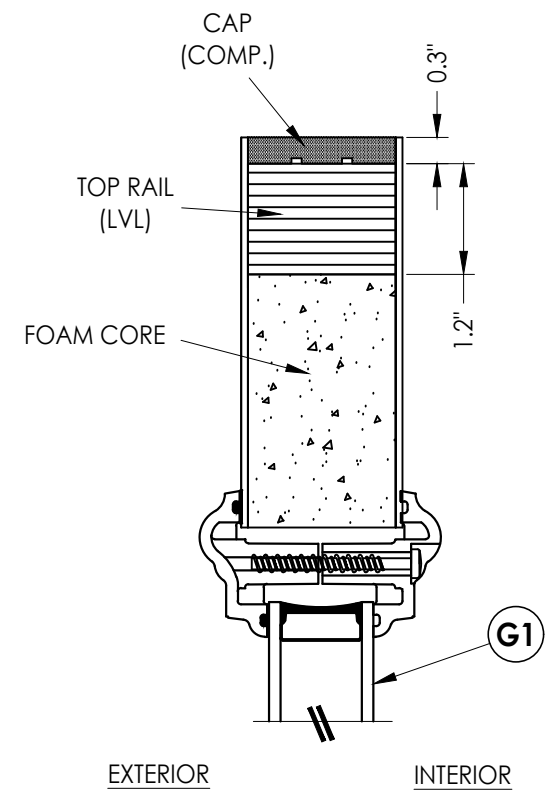
1
2 **HORIZONTAL CROSS SECTION**



2
2
40 DOOR PANEL
Doorscapes

FIBERGLASS SKIN: 0.075" MIN. THK.
FOAM CORE: POLYURETHANE -1.9 PCF MIN.

HARDWARE TABLE	
MANUFACTURER	MODEL
YALE	KNOB: YE SERIES (10) DEADBOLT: YE SERIES (82E)



2
2 **VERTICAL CROSS SECTION**

Documents Prepared By:
Lyndon F. Schmidt
P.E. No. 43409

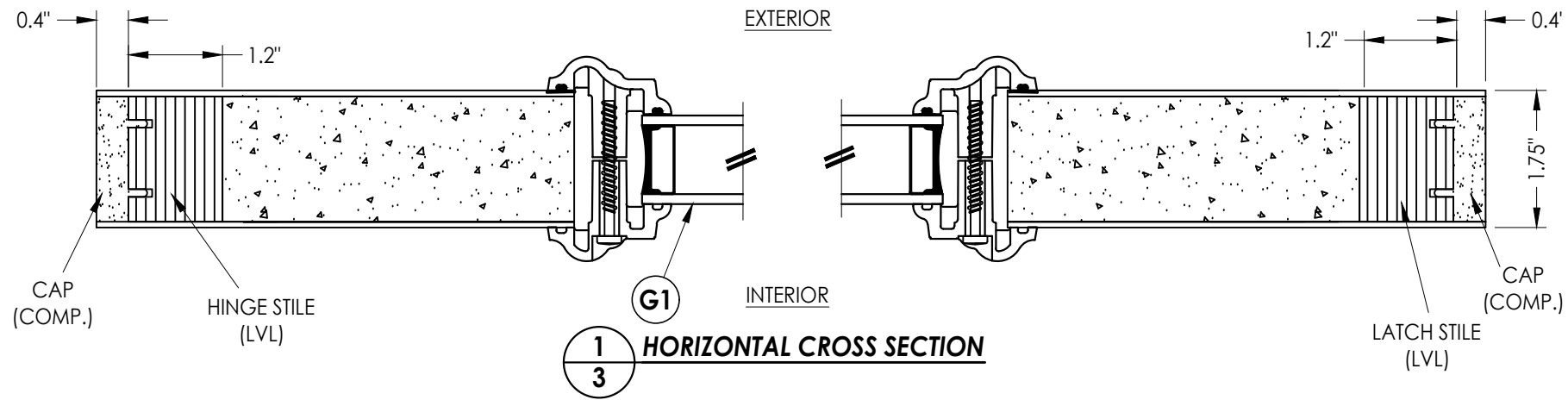
RW BUILDING CONSULTANTS, INC.
P.O. Box 230, Valrico, FL 33595
Phone No.: 813.659.9197
FBPE Registry No. 9813

PRODUCT: DOORSCAPES FIBERGLASS DOOR

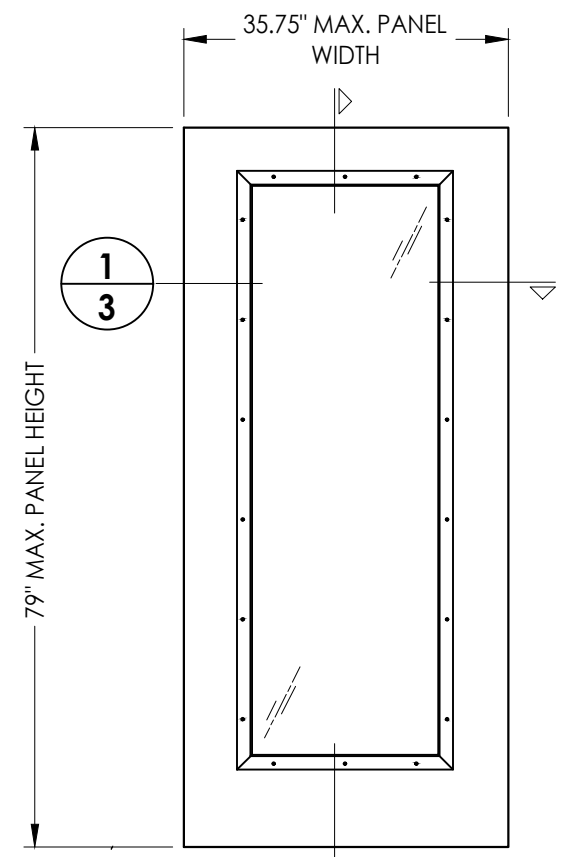
PART OR ASSEMBLY: DOOR PANEL & GLAZING DETAILS

NO.	DATE	REVISIONS
2	8/01/23	UPDATE TO 8TH ED. (2023) FBC LFS
1	8/06/20	UPDATE TO 7TH ED. (2020) FBC LFS
		BY

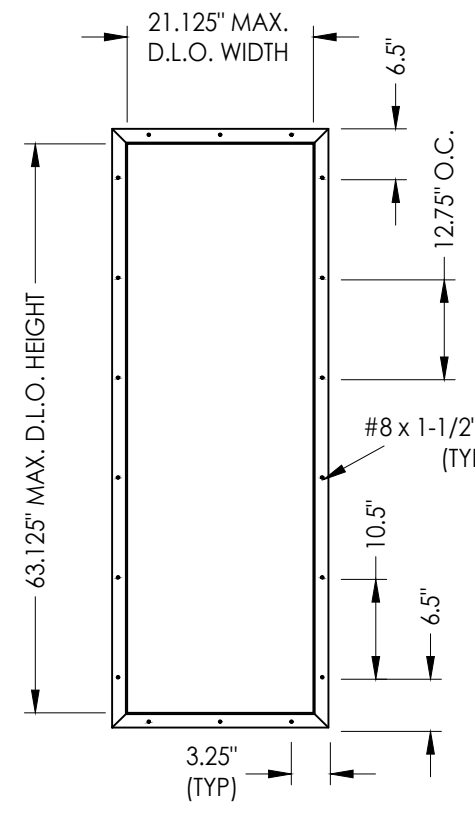
DATE: 1/21/19
SCALE: N.T.S.
DWG. BY: MT
CHK. BY: LFS
DRAWING NO.: FL-28831.2
SHEET 2 OF 13



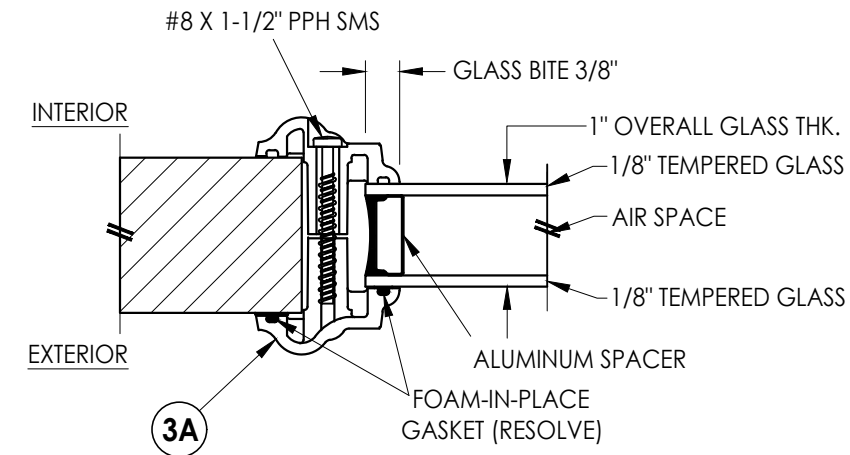
1
3 **HORIZONTAL CROSS SECTION**



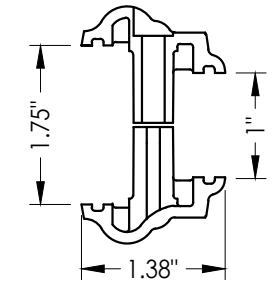
2
3 **50 SIDELITE PANEL**
Doorscapes



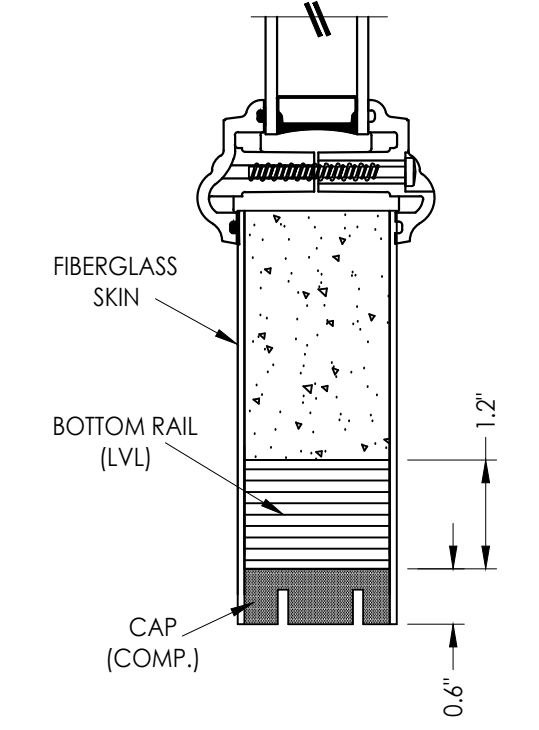
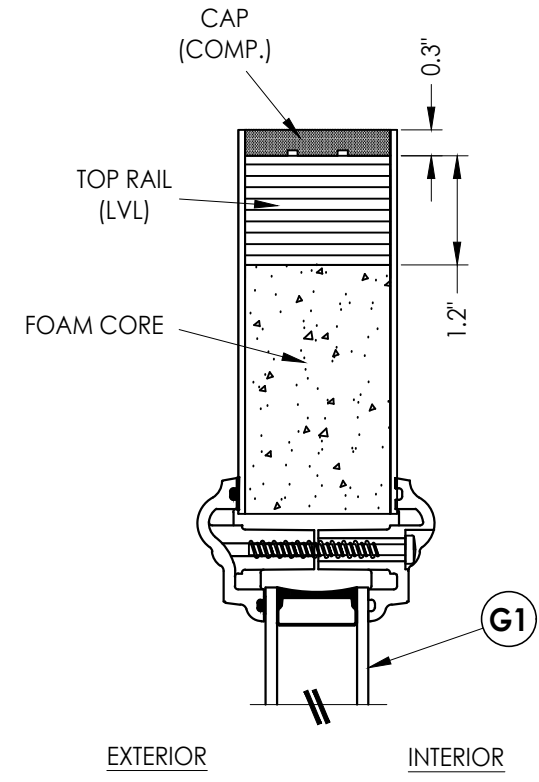
ODL LITE FRAME



G1 **GLAZING DETAIL**
ODL LITE FRAME



3A **ODL LITE FRAME**
HP Polypropylene



2
3 **VERTICAL CROSS SECTION**

FIBERGLASS SKIN: 0.075" MIN. THK.
FOAM CORE: POLYURETHANE -1.9 PCF MIN.

Documents Prepared By:
Lyndon F. Schmidt
P.E. No. 43409

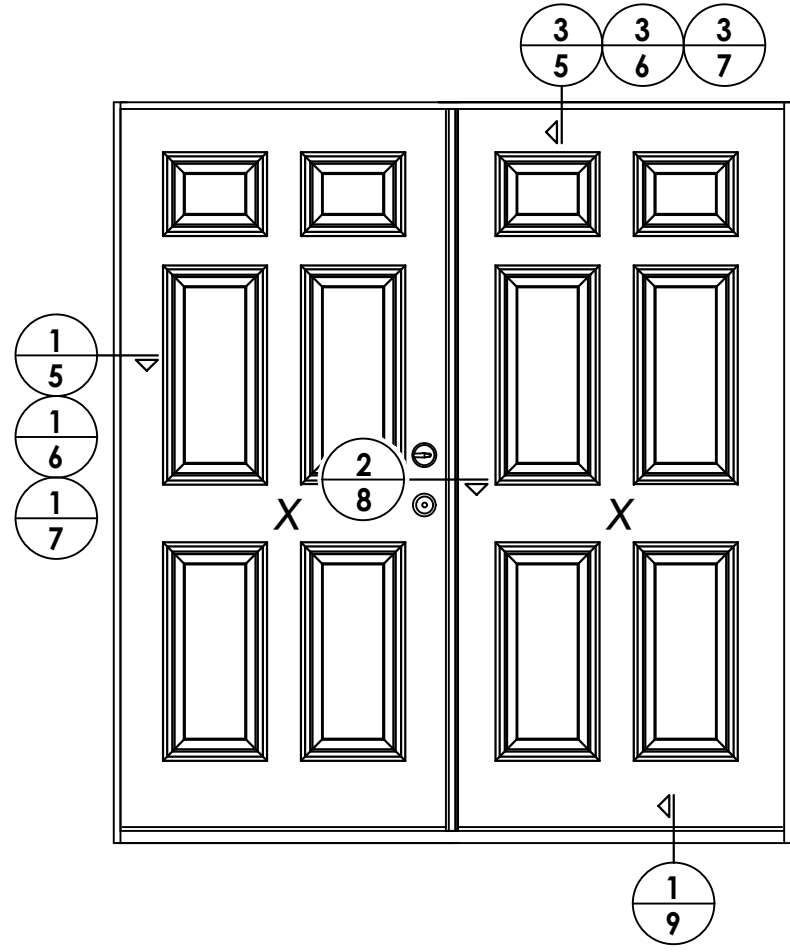
RW BUILDING CONSULTANTS, INC.
P.O. Box 230, Valrico, FL 33595
Phone No.: 813.659.9197
FBPE Registry No. 9813

PRODUCT: DOORSCAPES
FIBERGLASS DOOR

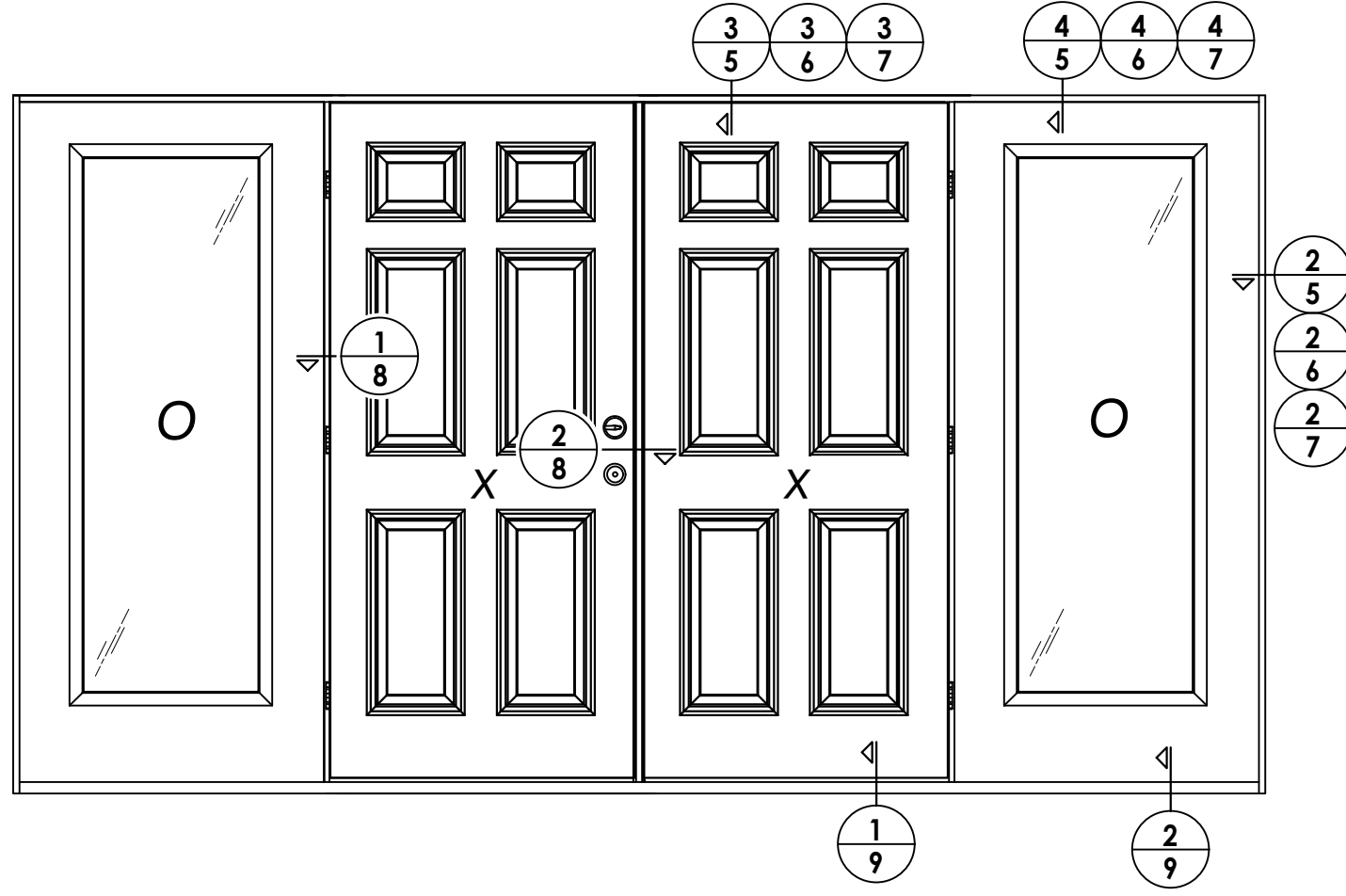
PART OR ASSEMBLY:
DOOR PANEL &
GLAZING DETAILS

NO.	DATE	BY
2	8/01/23	LFS
1	8/06/20	LFS

DATE:	1/21/19
SCALE:	N.T.S.
DWG. BY:	MT
CHK. BY:	LFS
DRAWING NO.:	FL-28831.2
SHEET	3 OF 13



ELEVATION
XX



ELEVATION
OXXO

DATE: 1/21/19
SCALE: N.T.S.
DWG. BY: MT
CHK. BY: LFS
DRAWING NO.: FL-28831.2
SHEET 4 OF 13

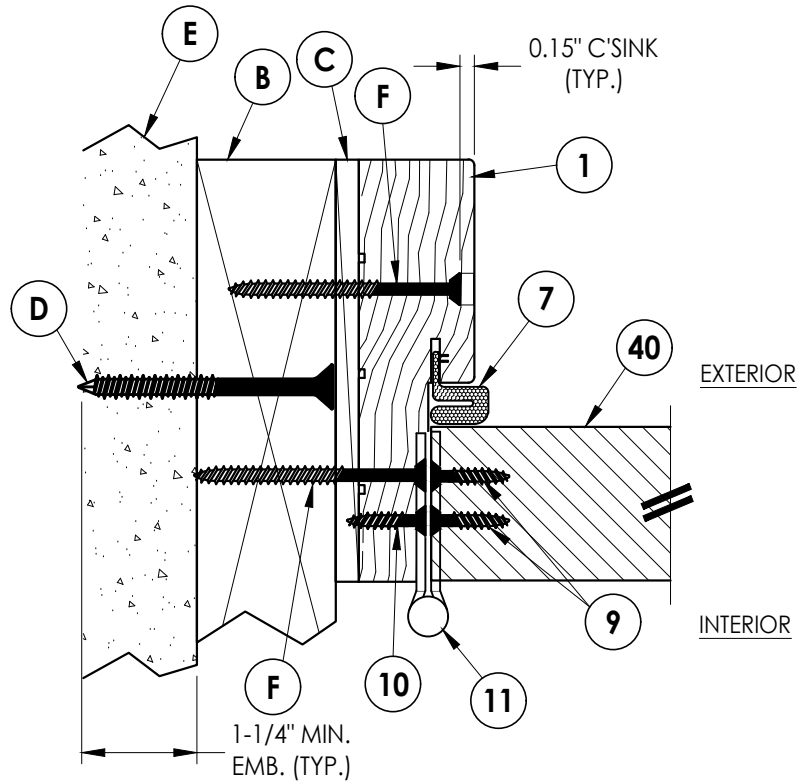
REVISIONS	
NO.	DATE
2	8/01/23 UPDATE TO 8TH ED. (2023) FBC
1	8/06/20 UPDATE TO 7TH ED. (2020) FBC
	LFS BY

PRODUCT:	DOORSCAPES FIBERGLASS DOOR
PART OR ASSEMBLY:	ELEVATIONS

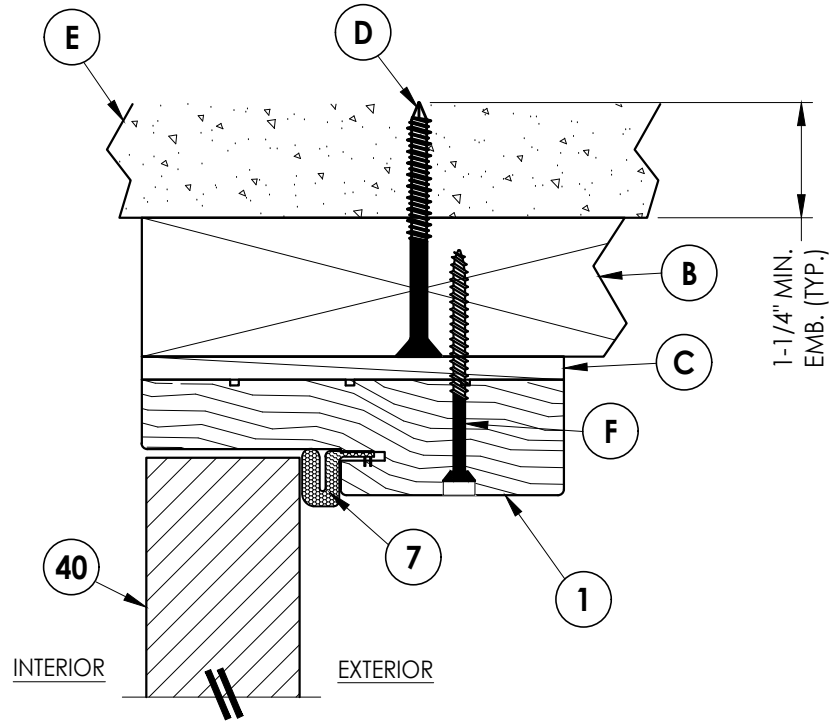
Documents Prepared By:
Lyndon F. Schmidt
P.E. No. 43409

RW
BUILDING CONSULTANTS, INC.
P.O. Box 230, Valrico, FL 33595
Phone No.: 813.659.9197
FBPE Registry No. 9813

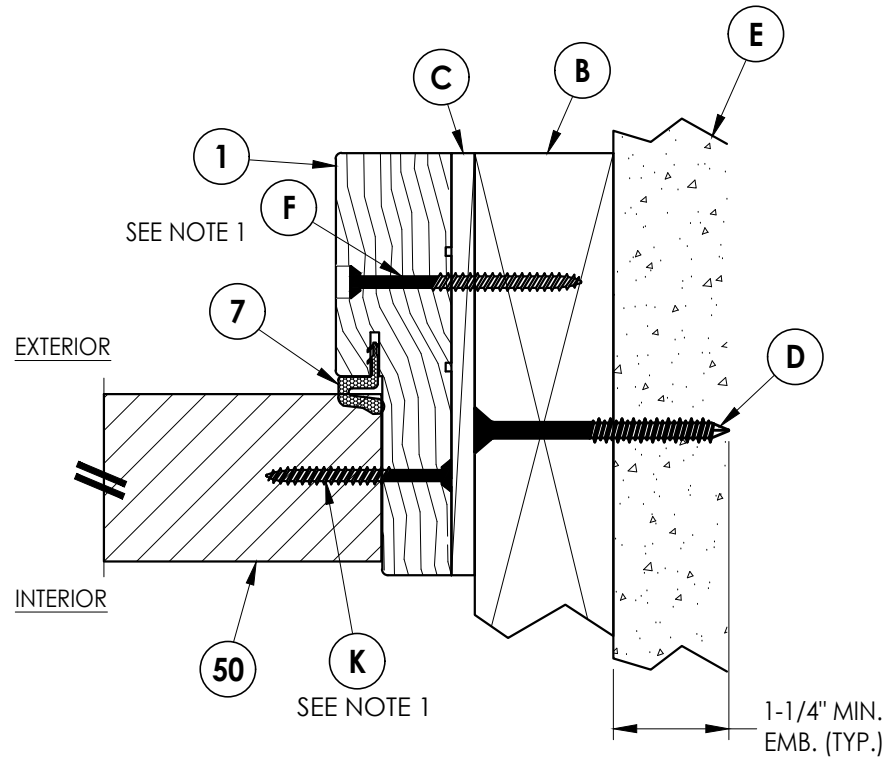
Z:\2023 FBC Drawings\DoorScapes, Inc\FL-28831 R2 FG Door\FL28831.1-2.dwg



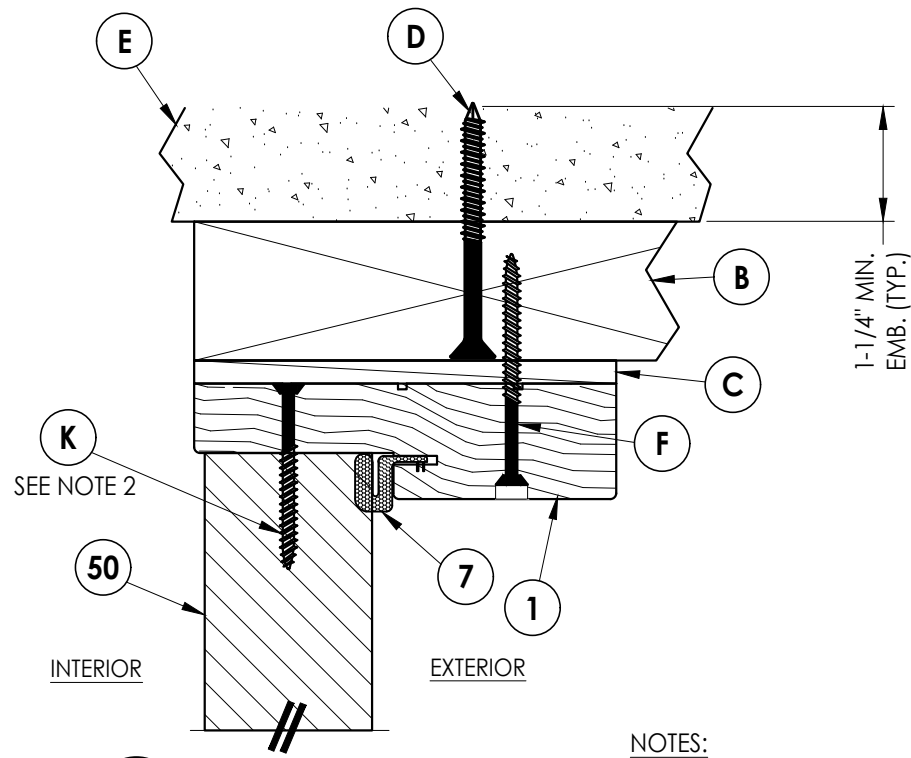
1 HORIZONTAL CROSS SECTION
5 Inswing
2X Buck Construction



3 VERTICAL CROSS SECTION
5 Inswing
2X Buck Construction



2 HORIZONTAL CROSS SECTION
5 Inswing
2X Buck Construction



4 VERTICAL CROSS SECTION
5 Inswing
2X Buck Construction

NOTES:

- Sidelite attached @ 6" from each end plus 4 more screws equally spaced between (6 screws total per jamb).
- Sidelite attached @ 3" from each end (2 screws total @ head).

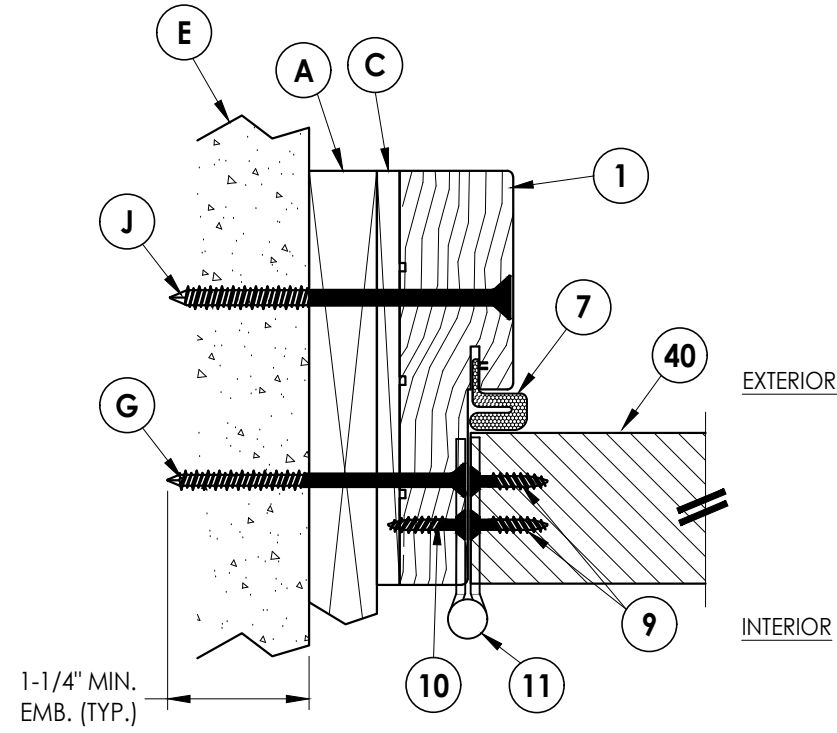
Documents Prepared By:
Lyndon F. Schmidt
P.E. No. 43409

RW BUILDING CONSULTANTS, INC.
P.O. Box 230, Valrico, FL 33595
Phone No.: 813.659.9197
FBPE Registry No. 9813

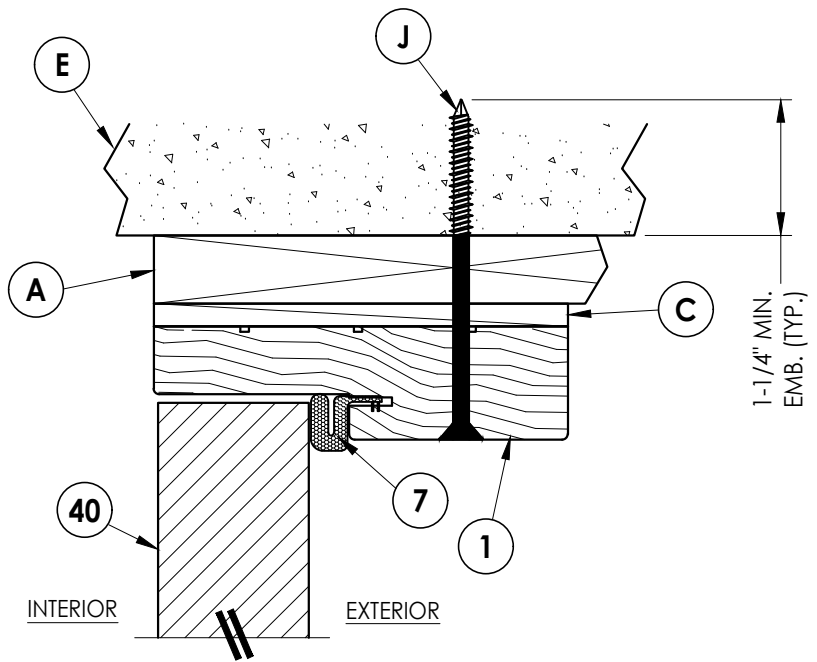
PRODUCT: DOORSCAPES
FIBERGLASS DOOR
PART OR ASSEMBLY:
HORIZONTAL & VERTICAL
CROSS SECTIONS (2X BUCK)

NO.	DATE	BY	REVISIONS
2	8/01/23	LFS	UPDATE TO 8TH ED. (2023) FBC
1	8/06/20	LFS	UPDATE TO 7TH ED. (2020) FBC

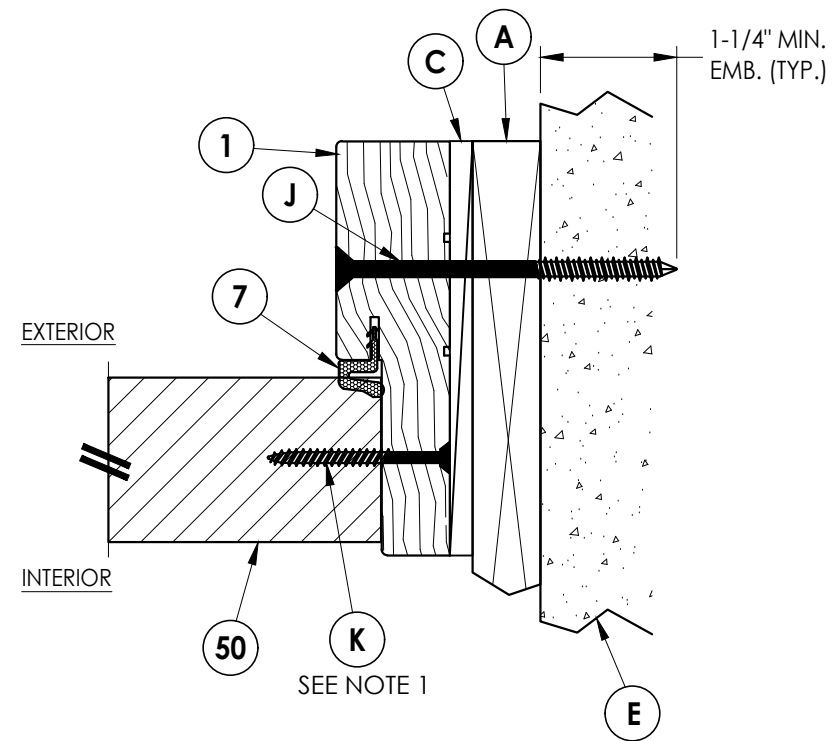
DATE: 1/21/19
SCALE: N.T.S.
DWG. BY: MT
CHK. BY: LFS
DRAWING NO.: FL-28831.2
SHEET 5 OF 13



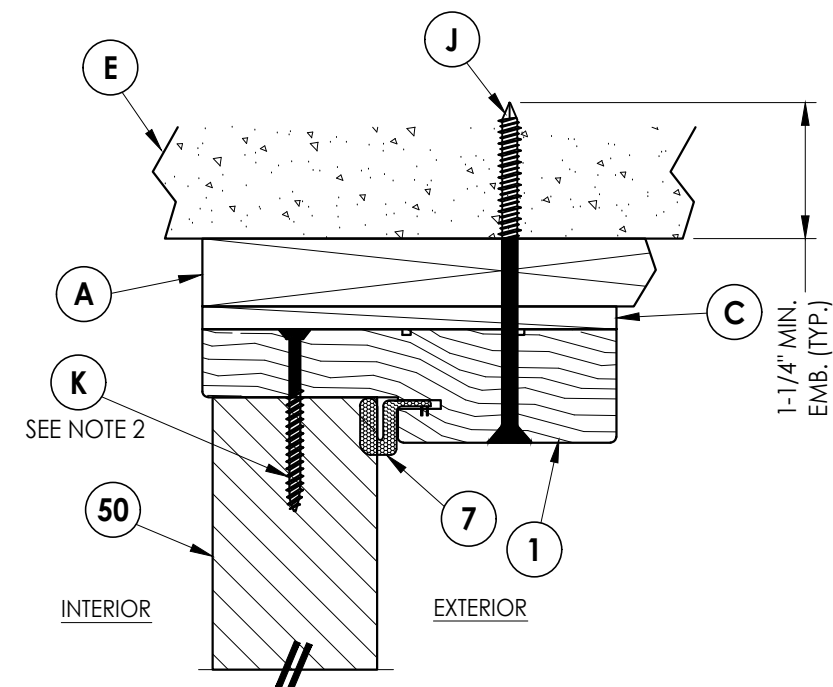
1
6 HORIZONTAL CROSS SECTION
Inswing
1X Buck Construction



3
6 VERTICAL CROSS SECTION
Inswing
1X Buck Construction



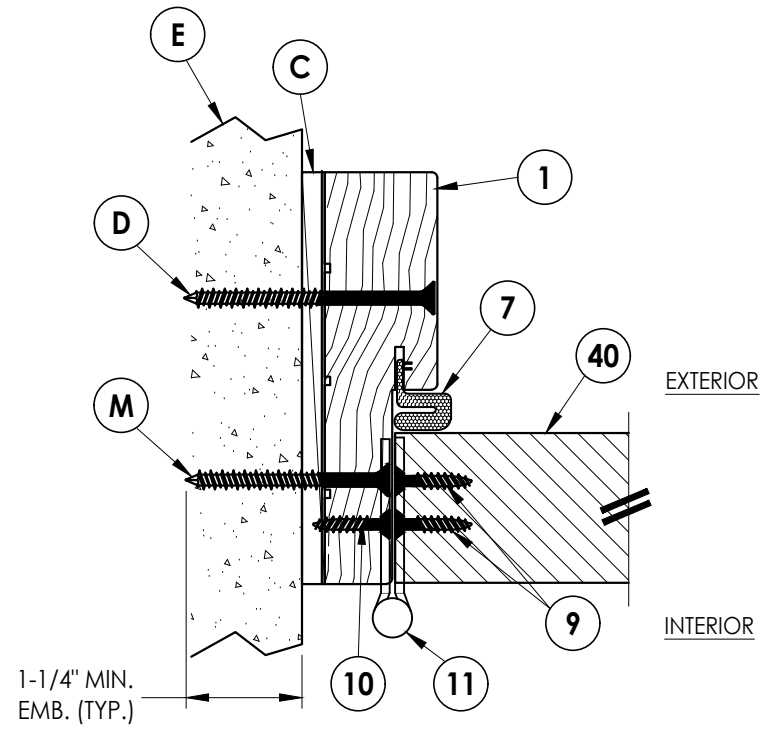
2
6 HORIZONTAL CROSS SECTION
Inswing
1X Buck Construction



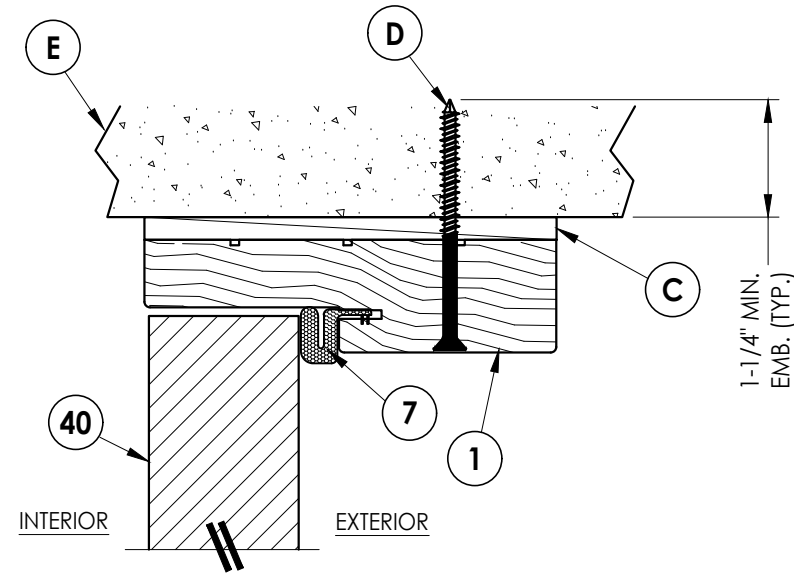
4
6 VERTICAL CROSS SECTION
Inswing
1X Buck Construction

- NOTES:
- Sidelite attached @ 6" from each end plus 4 more screws equally spaced between (6 screws total per jamb).
 - Sidelite attached @ 3" from each end (2 screws total @ head).

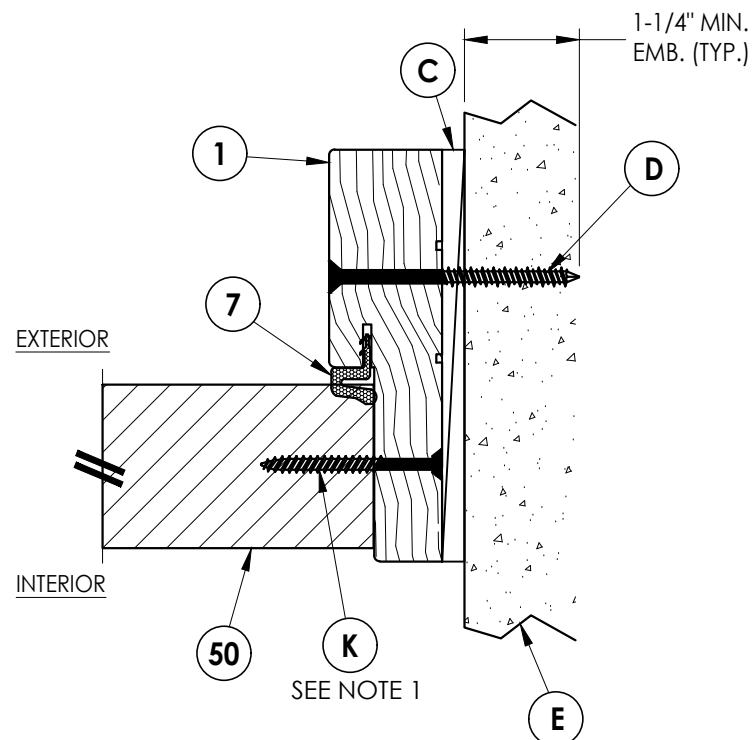
Documents Prepared By: Lyndon F. Schmidt P.E. No. 43409		BUILDING CONSULTANTS, INC. P.O. Box 230, Valrico, FL 33595 Phone No.: 813.659.9197 FBPE Registry No. 9813	
PRODUCT:	DOORSCAPES FIBERGLASS DOOR	PART OR ASSEMBLY: HORIZONTAL & VERTICAL CROSS SECTIONS (1X BUCK)	
NO.	DATE	LFS	BY
2	8/01/23	UPDATE TO 8TH ED. (2023)	FBC
1	8/06/20	UPDATE TO 7TH ED. (2020)	FBC
REVISIONS			
DATE: 1/21/19			
SCALE: N.T.S.			
DWG. BY: MT		CHK. BY: LFS	
DRAWING NO.: FL-28831.2			
SHEET 6 OF 13			



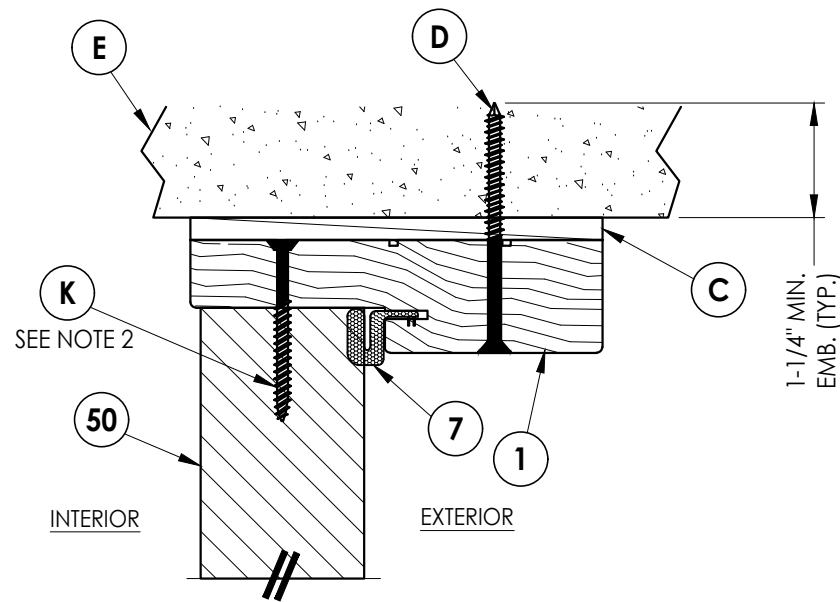
1 HORIZONTAL CROSS SECTION
7 Inswing
Shown Direct to Masonry



3 VERTICAL CROSS SECTION
7 Inswing
Shown Direct to Masonry



2 HORIZONTAL CROSS SECTION
7 Inswing
Shown Direct to Masonry



4 VERTICAL CROSS SECTION
7 Inswing
Shown Direct to Masonry

NOTES:

- Sidelite attached @ 6" from each end plus 4 more screws equally spaced between (6 screws total per jamb).
- Sidelite attached @ 3" from each end (2 screws total @ head).

Documents Prepared By:
Lyndon F. Schmidt
P.E. No. 43409

RW
BUILDING CONSULTANTS, INC.
P.O. Box 230, Valrico, FL 33595
Phone No.: 813.659.9197
FBPE Registry No. 9813

PRODUCT: DOORSCAPES
FIBERGLASS DOOR
PART OR ASSEMBLY:
HORIZONTAL & VERTICAL CROSS
SECTIONS (DIRECT TO MASONRY)

NO.	DATE	REVISIONS
2	8/01/23	UPDATE TO 8TH ED. (2023) FBC LFS
1	8/06/20	UPDATE TO 7TH ED. (2020) FBC LFS
		BY

DATE: 1/21/19

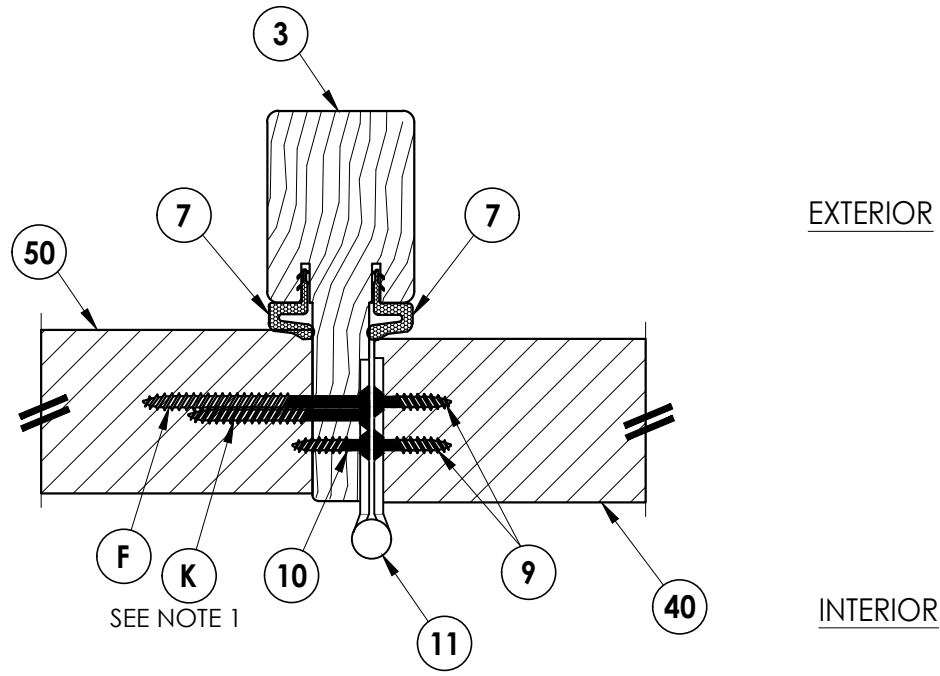
SCALE: N.T.S.

DWG. BY: MT

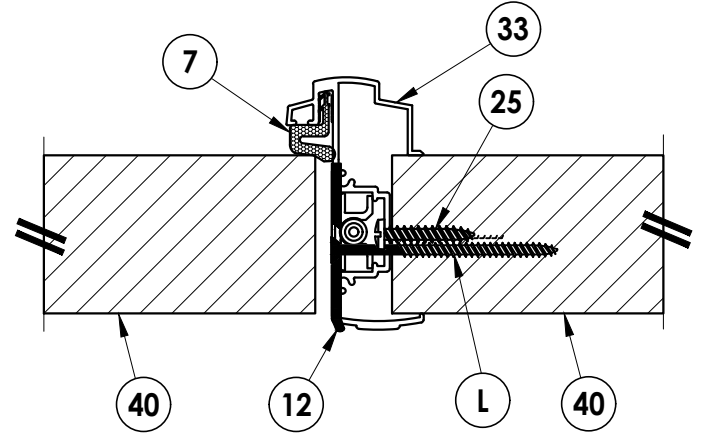
CHK. BY: LFS

DRAWING NO.: FL-28831.2

SHEET 7 OF 13



1 HORIZONTAL CROSS SECTION
8 Inswing



2 HORIZONTAL CROSS SECTION
8 Inswing

NOTE:
 1. Sidelite attached w/ 1 screw equally spaced between each hinge (2 screws total per mullion).

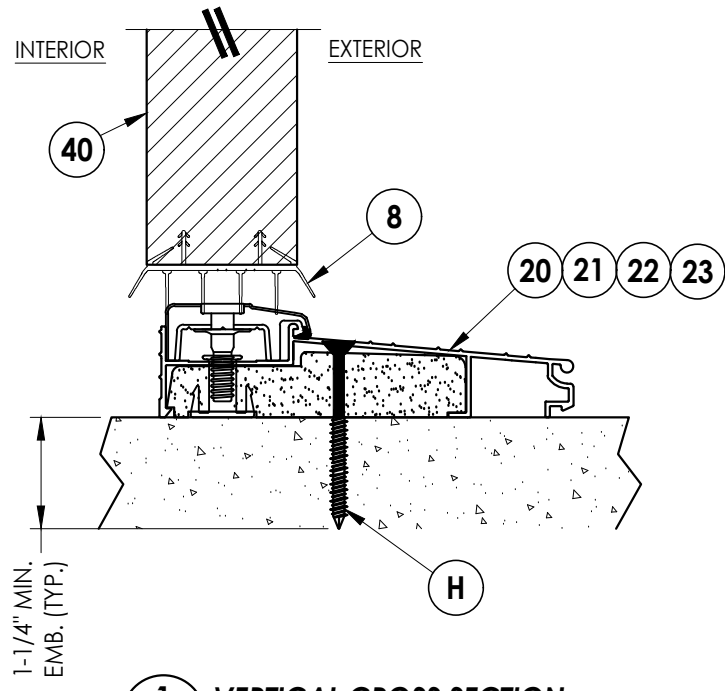
DATE:	1/21/19
SCALE:	N.T.S.
DWG. BY:	MT
CHK. BY:	LFS
DRAWING NO.:	FL-28831.2
SHEET	8 of 13

REVISIONS	
NO.	DATE
2	8/01/23
1	8/06/20

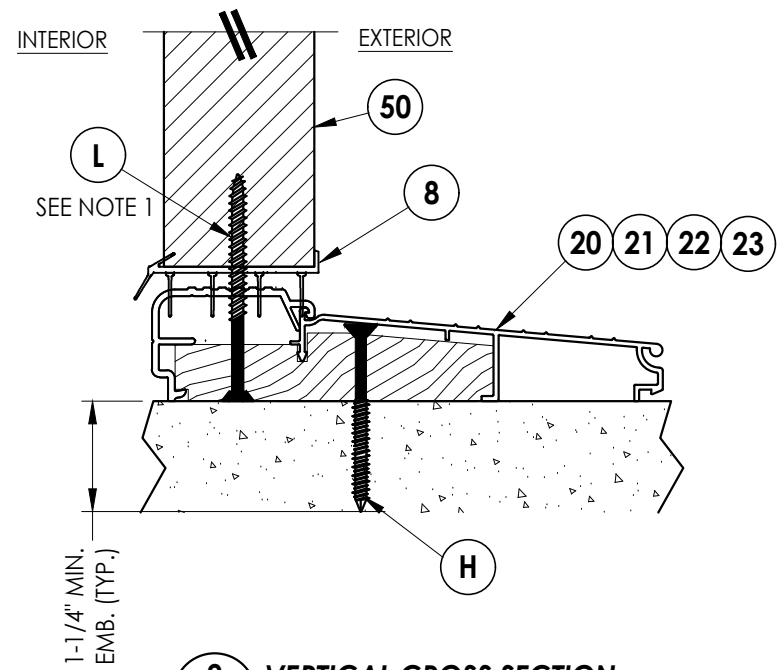
PRODUCT:	DOORSCAPES FIBERGLASS DOOR
PART OR ASSEMBLY:	HORIZONTAL CROSS SECTIONS

Documents Prepared By:
 Lyndon F. Schmidt
 P.E. No. 43409

RW BUILDING CONSULTANTS, INC.
 P.O. Box 230, Valrico, FL 33595
 Phone No.: 813.659.9197
 FBPE Registry No. 9813



1
9 VERTICAL CROSS SECTION
Inswing sill



2
9 VERTICAL CROSS SECTION
Inswing sill

NOTE:
1. Sidelite attached @ 3" from each end (2 screws total @ sill).

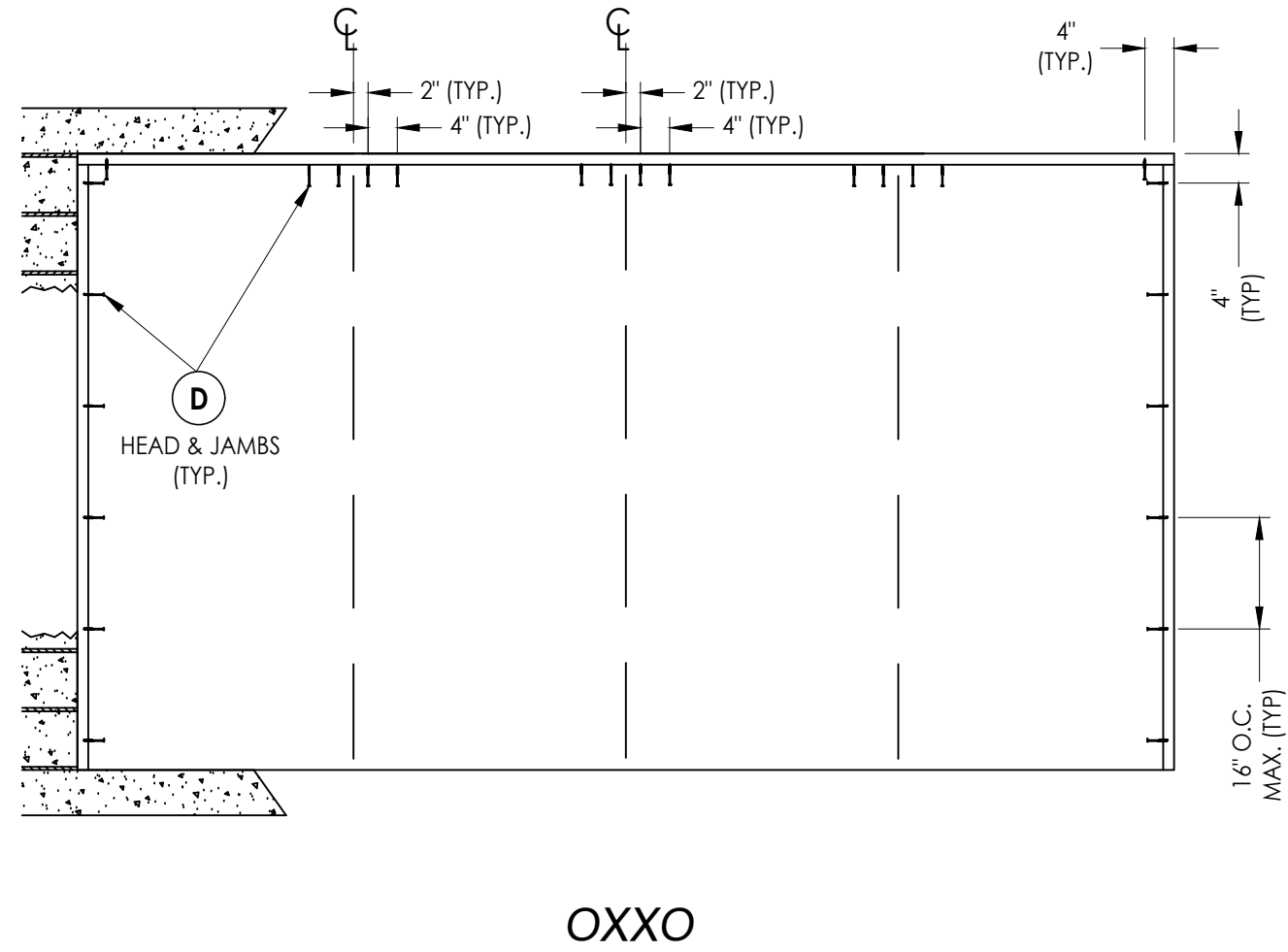
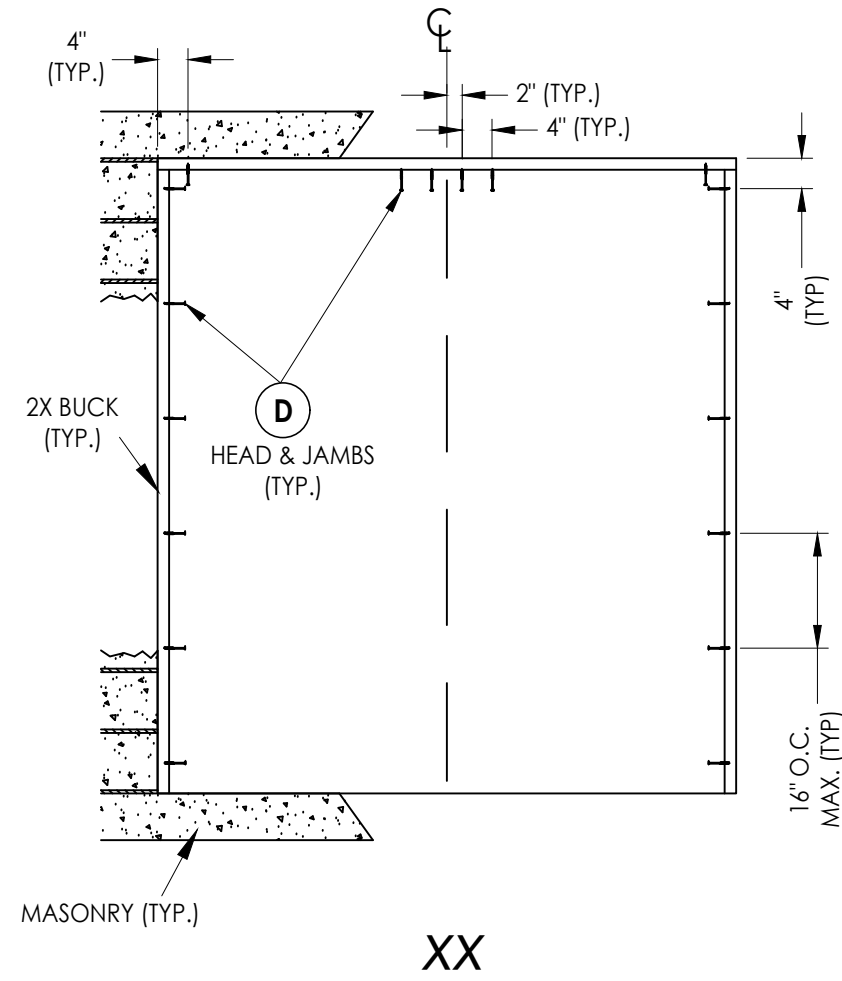
DATE:	1/21/19
SCALE:	N.T.S.
DWG. BY:	MT
CHK. BY:	LFS
DRAWING NO.:	FL-28831.2
SHEET	9 of 13

REVISIONS	
NO.	DATE
2	8/01/23
1	8/06/20

PRODUCT:	DOORSCAPES FIBERGLASS DOOR
PART OR ASSEMBLY:	VERTICAL CROSS SECTIONS

Documents Prepared By:
Lyndon F. Schmidt
P.E. No. 43409

RW BUILDING CONSULTANTS, INC.
P.O. Box 230, Valrico, FL 33595
Phone No.: 813.659.9197
FBPE Registry No. 9813



2X BUCK ANCHORING

DATE:	1/21/19
SCALE:	N.T.S.
DWG. BY:	MT
CHK. BY:	LFS
DRAWING NO.:	FL-28831.2
SHEET	10 OF 13

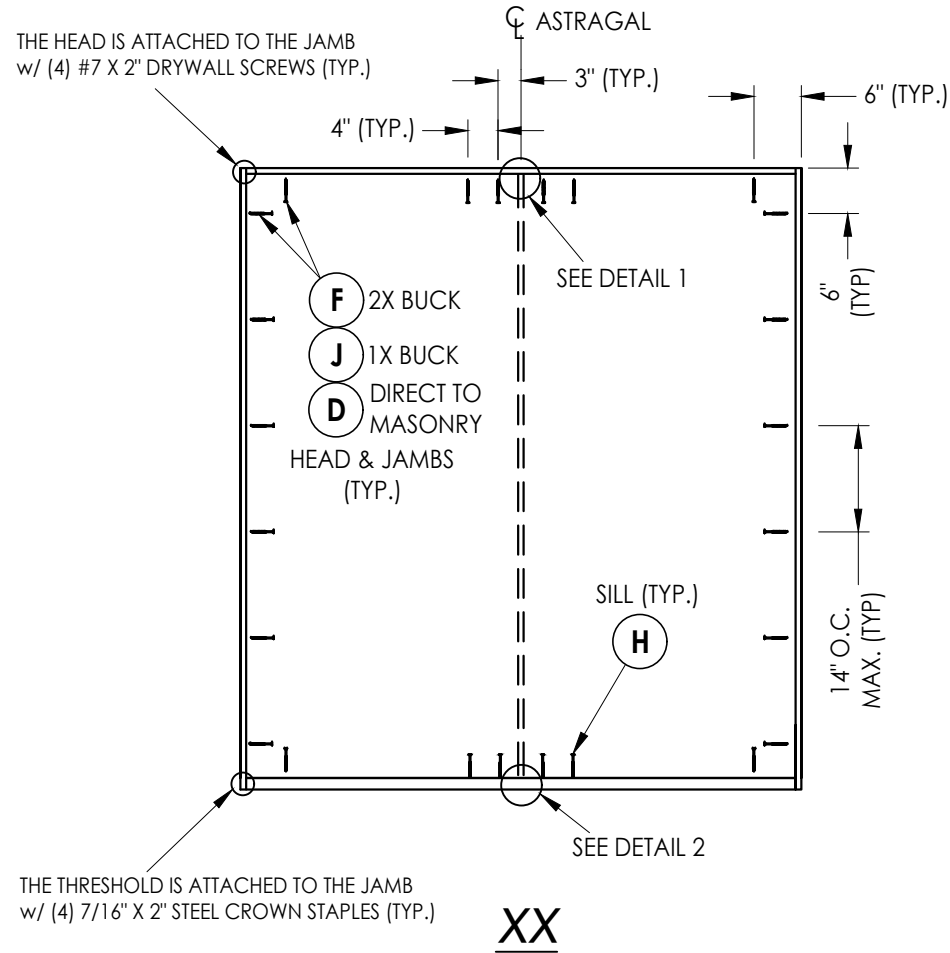
NO.	DATE	REVISIONS
2	8/01/23	UPDATE TO 8TH ED. (2023) FBC LFS
1	8/06/20	UPDATE TO 7TH ED. (2020) FBC LFS

PRODUCT:	DOORSCAPES FIBERGLASS DOOR
PART OR ASSEMBLY:	BUCK ANCHORING

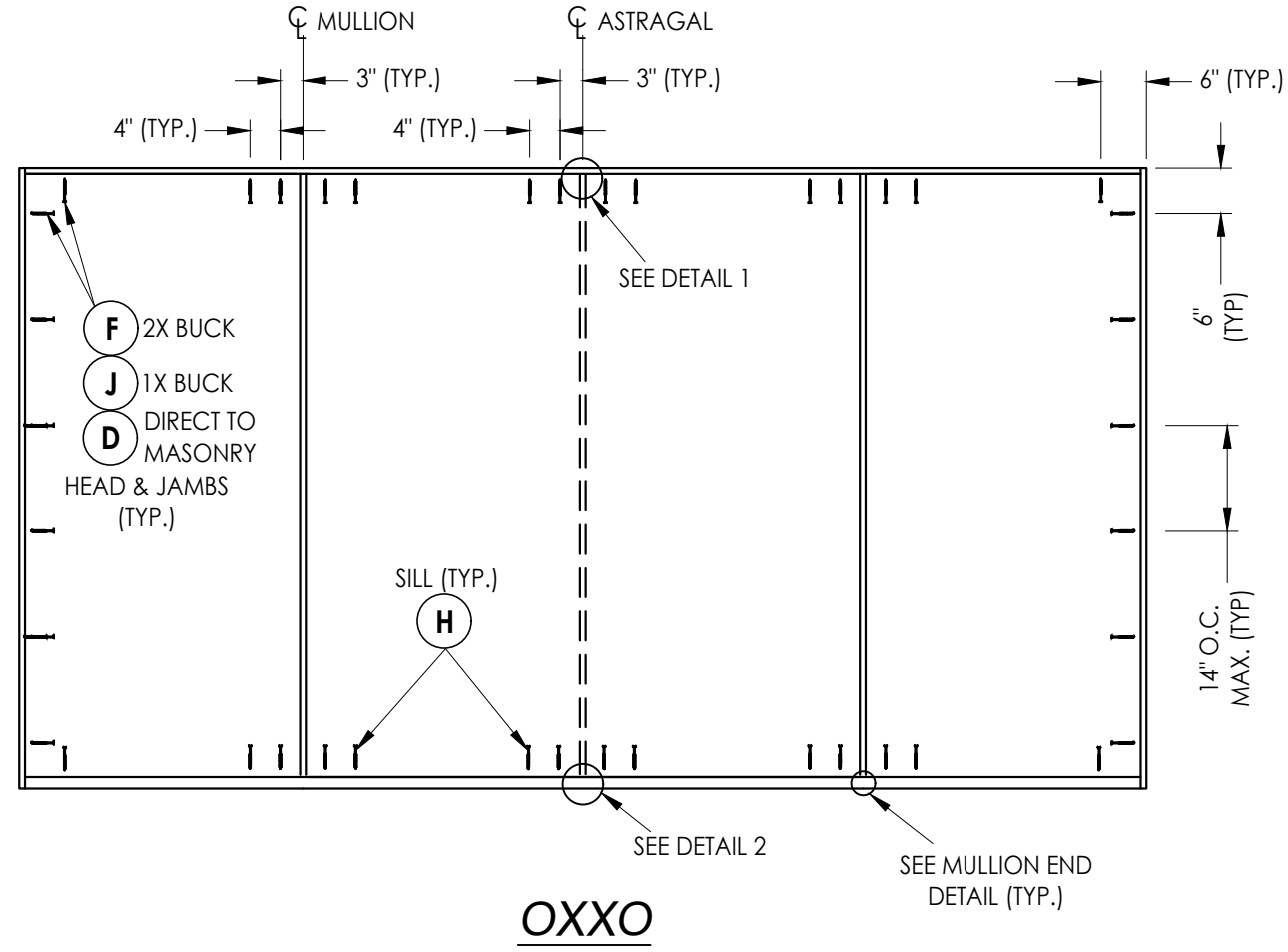
Documents Prepared By:
Lyndon F. Schmidt
P.E. No. 43409

RW BUILDING CONSULTANTS, INC.
P.O. Box 230, Valrico, FL 33595
Phone No.: 813.659.9197
FBPE Registry No. 9813

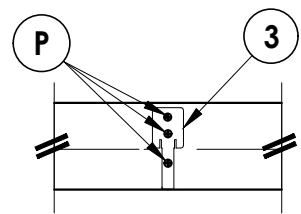
THE HEAD IS ATTACHED TO THE JAMB
w/ (4) #7 X 2" DRYWALL SCREWS (TYP.)



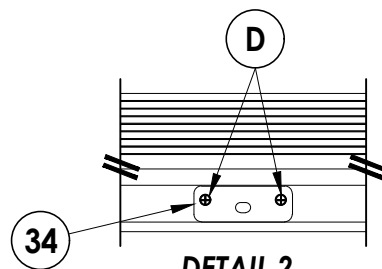
THE THRESHOLD IS ATTACHED TO THE JAMB
w/ (4) 7/16\"/>



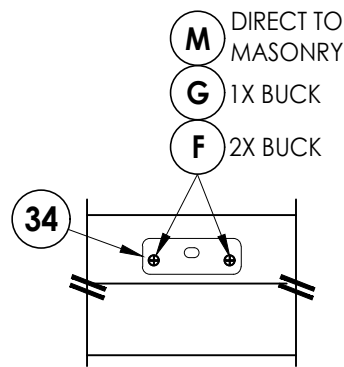
FRAME ANCHORING



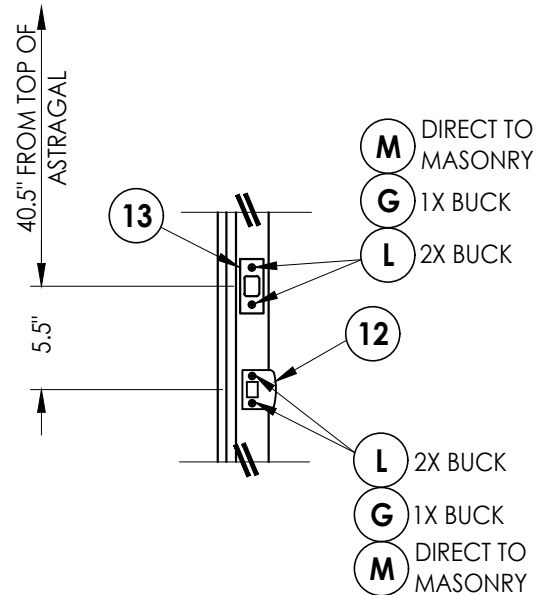
MULLION END DETAIL
(TYP. @ HEAD & SILL)



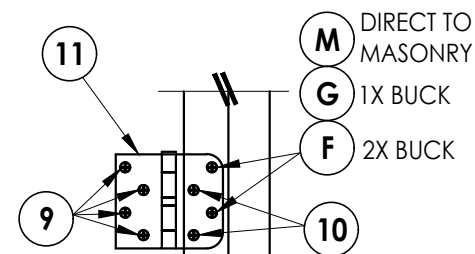
DETAIL 2



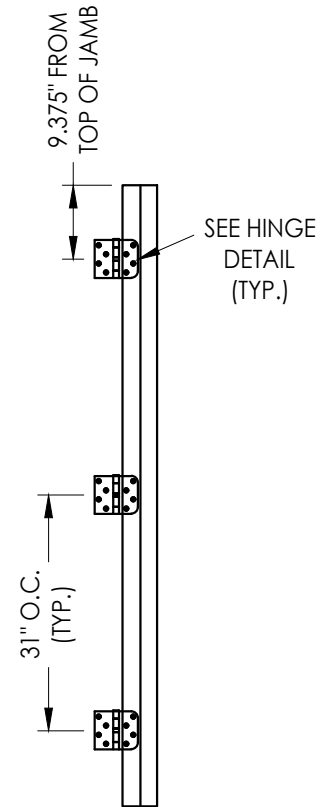
DETAIL 1



LATCH & DEADBOLT STRIKE DETAILS



HINGE DETAIL



HINGE JAMB

Documents Prepared By:
Lyndon F. Schmidt
P.E. No. 43409

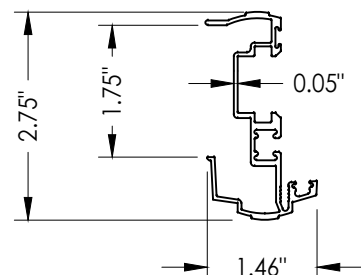
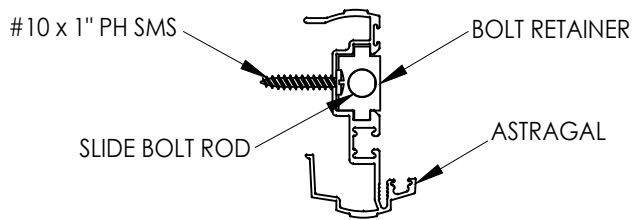
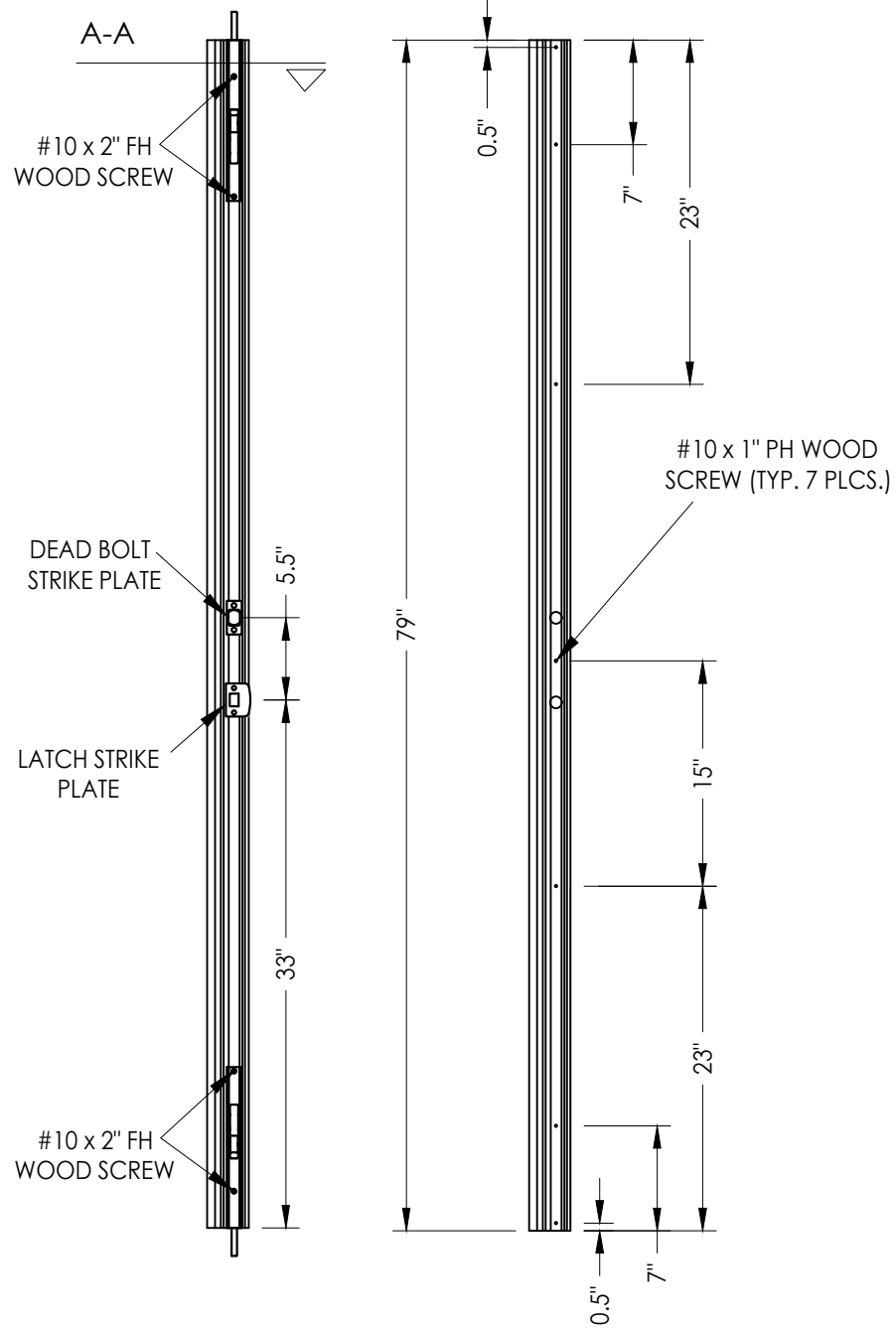
RW BUILDING CONSULTANTS, INC.
P.O. Box 230, Valrico, FL 33595
Phone No.: 813.659.9197
FBPE Registry No. 9813

PRODUCT:
DOORSCAPES
FIBERGLASS DOOR

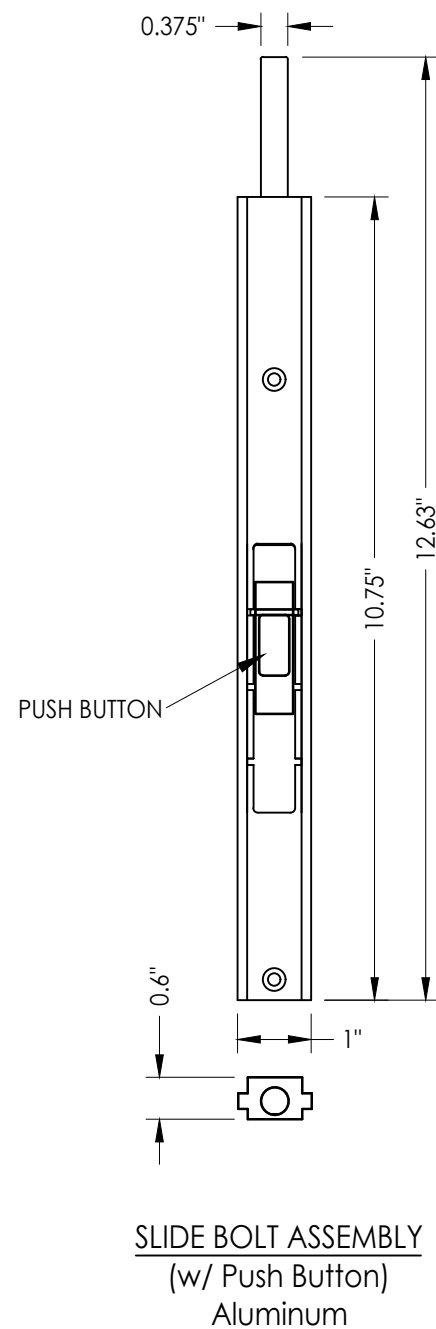
PART OR ASSEMBLY:
FRAME ANCHORING
& HARDWARE DETAILS

NO.	DATE	REVISIONS
2	8/01/23	UPDATE TO 8TH ED. (2023) FBC LFS
1	8/06/20	UPDATE TO 7TH ED. (2020) FBC LFS

DATE: 1/21/19
SCALE: N.T.S.
DWG. BY: MT
CHK. BY: LFS
DRAWING NO.: FL-28831.2
SHEET 11 OF 13



33 HURRICANE "T" ASTRAGAL by AFCO
 Aluminum



Documents Prepared By:
 Lyndon F. Schmidt
 P.E. No. 43409

BUILDING CONSULTANTS, INC.
 P.O. Box 230, Valrico, FL 33595
 Phone No.: 813.659.9197
 FBPE Registry No. 9813

RW

PRODUCT: DOORSCAPES
 FIBERGLASS DOOR

PART OR ASSEMBLY:
 BUCK ANCHORING

NO.	DATE	REVISIONS
2	8/01/23	UPDATE TO 8TH ED. (2023) FBC LFS
1	8/06/20	UPDATE TO 7TH ED. (2020) FBC LFS
		BY

DATE: 1/21/19

SCALE: N.T.S.

DWG. BY: MT

CHK. BY: LFS

DRAWING NO.:

FL-28831.2

SHEET 12 OF 13

BILL OF MATERIALS

ITEM #	DESCRIPTION	MATERIAL
A	1X BUCK (G >= 0.42)	WOOD
B	2X BUCK (G >= 0.42)	WOOD
C	1/4" MAX. SHIM SPACE	-
D	1/4" X 2-3/4" PFH DeWALT OR ITW CONCRETE SCREW	STEEL
E	MASONRY - 3,000 PSI MIN. CONCRETE CONFORMING TO ACI 301 OR HOLLOW BLOCK CONFORMING TO ASTM C90	CONCRETE
F	#10 X 2-1/2" PFH WOOD SCREW (1.15" MIN. EMBEDMENT)	STEEL
G	3/16" X 3-1/4" PFH ITW CONCRETE SCREW	STEEL
H	1/4" X 2-1/4" PFH DeWALT OR ITW CONCRETE SCREW	STEEL
J	1/4" X 3-3/4" PFH DeWALT OR ITW CONCRETE SCREW	STEEL
K	#10 X 2" PFH WOOD SCREW	STEEL
L	#8 X 2-1/2" PFH WOOD SCREW	STEEL
M	3/16" X 2-1/4" PFH ITW CONCRETE SCREW	STEEL
P	#7 X 2-1/2" DRYWALL SCREW	STEEL
1	FINGER JOINT PINE JAMB (G >= 0.42)	WOOD
3	INTEGRAL MULLION (PINE, G >= 0.42)	WOOD
7	WEATHERSTRIP	FOAM
8	DOOR/SIDELITE BOTTOM SWEEP	VINYL
9	#9 X 1" PFH WOOD SCREW	STEEL
10	#10 X 3/4" PFH WOOD SCREW	STEEL
11	4" X 4" BUTT HINGE	STEEL
12	LATCH STRIKE PLATE	STEEL
13	DEADBOLT STRIKE PLATE	STEEL
20	INSWING THRESHOLD (AFCO A-125)	ALUM/WOOD
21	INSWING THRESHOLD (AFCO A-125)	ALUM/COMP
22	INSWING THRESHOLD (AFCO A-276)	ALUM/WOOD
23	INSWING THRESHOLD (AFCO A-280)	ALUM/WOOD
25	#10 X 1" PH SMS	STEEL
33	ALUMINUM ASTRAGAL (AFCO)	ALUM
34	ASTRAGAL STRIKE PLATE	STEEL
40	DOOR PANEL - SEE DOOR PANEL DETAIL SHEET FOR DETAILS	-
50	SIDELITE PANEL - SEE SIDELITE PANEL DETAIL SHEET FOR DETAILS	-

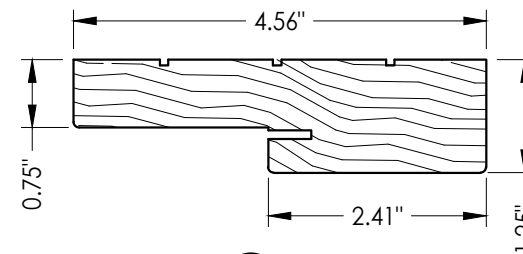
CONCRETE ANCHOR NOTES:

- Concrete anchor locations at the corners may be adjusted to maintain the min. edge distance to mortar joints.
- Concrete anchor locations noted as "MAX. ON CENTER" must be adjusted to maintain the min. edge distance to mortar joints, additional concrete anchors may be required to ensure the "MAX. ON CENTER" dimension are not exceeded.
- Concrete anchor table:

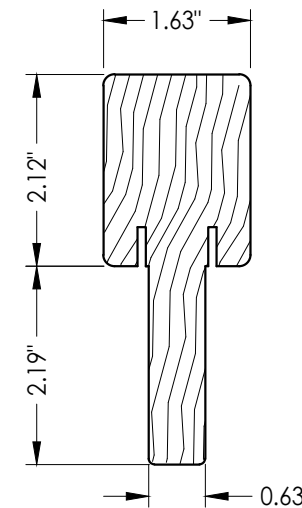
ANCHOR TYPE	ANCHOR SIZE	MIN. EMBEDMENT	MIN. CLEARANCE TO MASONRY EDGE	MIN. CLEARANCE TO ADJACENT ANCHOR
ITW BUILDEX TAPCON®	3/16"	1-1/4"	3"	1-1/2"
	1/4"	1-1/4"	2"	4"
DeWALT ULTRACON®	1/4"	1-1/4"	1"	4"

WOOD SCREW INSTALLATION NOTES:

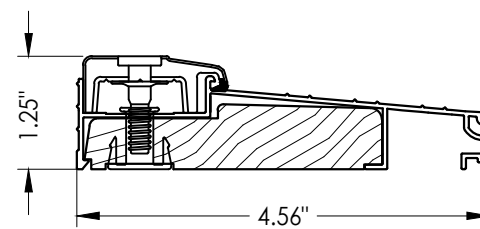
- Maintain a minimum 5/8" edge distance, 1" end distance, & 1" o.c. spacing of wood screws to prevent the splitting of wood.



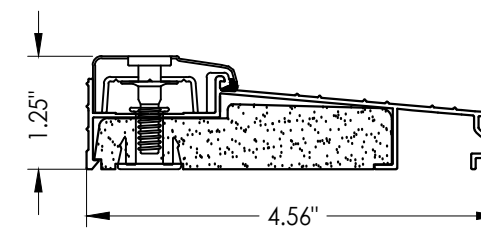
1 JAMB



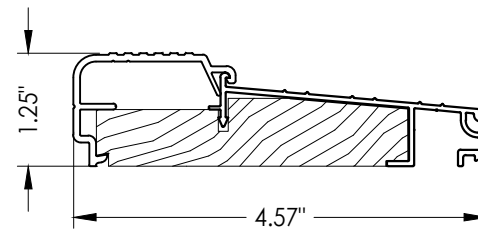
3 INTEGRAL MULLION



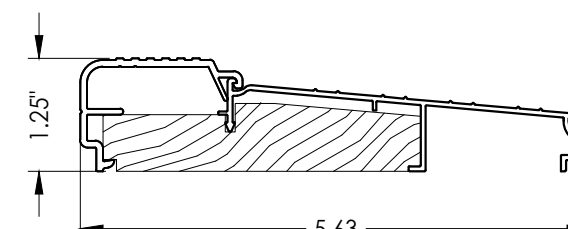
20 INSWING ADJUSTABLE THRESHOLD



21 INSWING ADJUSTABLE THRESHOLD



22 INSWING FIXED THRESHOLD



23 INSWING FIXED THRESHOLD

Documents Prepared By:
Lyndon F. Schmidt
P.E. No. 43409

PRODUCT:
DOORSCAPES
FIBERGLASS DOOR

PART OR ASSEMBLY:		REVISIONS	
NO.	DATE	BY	DESCRIPTION
2	8/01/23	LFS	UPDATE TO 8TH ED. (2023) FBC
1	8/06/20	LFS	UPDATE TO 7TH ED. (2020) FBC

DATE: 1/21/19

SCALE: N.T.S.

DWG. BY: MT

CHK. BY: LFS

DRAWING NO.:

FL-28831.2

SHEET 13 OF 13

BUILDING CONSULTANTS, INC.
P.O. Box 230, Vairico, FL 33595
Phone No.: 813.659.9197
FBPE Registry No. 9813